

### GR-10E005DJ: E-mode GaN Power Transistor

#### Description

GR-10E005DJ is an enhancement mode GaN on Silicon power transistor. 10E005DJ provides, high current and high operating speed which is suitable for DC to DC power supply applications.

#### Key Specifications

Part Number	GR-10E005DJ
V <sub>DSS</sub> , min.	100V
I <sub>DS</sub> , Pulse (25°C, TPULSE = 300 μs)	90A
R <sub>DS(ON)</sub> , typ. @V <sub>gs</sub> =6V	5.2mΩ
Q <sub>G</sub> , typ.	10.1nC

#### Features

- 100 V enhancement mode power transistor
- High operating frequency
- R<sub>DS(on)</sub> = Typ. 5.2mΩ
- RoHS compliant
- Zero QRR.

#### Applications

- Switch Mode Power Supplies (SMPS)
- DC-DC Converters
- Fast Battery Charging
- Appliance Motor Drives

**GR-10E005DJ, RQFN-5x6-8L**

Drain	5, 6, 7, 8
Gate	4
Source	1, 2, 3

## 1- Electrical Characteristics

➤ **Table 1 Absolute maximum ratings**

Symbol	Parameter	Value	Unit
V <sub>DSS</sub>	Drain-source voltage	100	V
V <sub>(TR)DSS</sub>	Transient drain to source voltage <sup>a</sup>	120	V
V <sub>GSS</sub>	Gate- source voltage	-6V ~ +6V	V
I <sub>D</sub>	Drain current (continuous) at T <sub>C</sub> = 25°C operation	33	A
	Drain current (continuous) at T <sub>C</sub> = 100°C operation	22.8	A
I <sub>D,pulse</sub>	Pulsed drain current (pulse width: 300μs, V <sub>gs</sub> =5V) <sup>b</sup>	90	A
T <sub>J</sub>	Operating temperature	-40 to +150	°C
T <sub>S</sub>	Storage temperature	-40 to +150	°C
MSL	Moisture sensitivity level	MSL3	

a. In off-state, spike duty cycle D<0.01, spike duration <1μs

b. Defined by product design and characterization. Value is not tested to full current in production

➤ **Table 2 Thermal Characteristics**

Symbol	Parameter	Value	Unit
R <sub>θJC_Top</sub>	Thermal resistance junction-case, Top	0.65	°C/W
R <sub>θJC_Bot</sub>	Thermal resistance junction-case, Bottom	0.50	°C/W
R <sub>θJA</sub>	Thermal resistance junction-ambient	60	°C/W

a. Tested in package DFN-5x6.

➤ **Table 3 Electrical Characteristics** ( $T_{CASE} = 25\text{ }^{\circ}\text{C}$  unless otherwise stated)

Symbol	Parameter	Conditions	Values			Unit
			min.	typ.	max.	
$V_{DSS}$	Drain-source voltage	$V_{GS} = 0V, I_D = 250\mu A$	100	-	-	V
$V_{GS(th)}$	Gate threshold voltage	$V_{DS} = V_{GS}, I_D = 1mA$	0.8	1.1	1.6	V
$R_{DS(on)}$	Drain-source on-resistance	$V_{GS} = 6V, I_D = 20A$	-	5.2	6.8	$m\Omega$
$I_{DSS}$	Drain-source leakage current	$V_{DS} = 80V, V_{GS} = 0V$	-	5	400	$\mu A$
$I_{GSS}$	Gate-to-Source Forward Leakage current	$V_{GS} = +5V, T_J = 25^{\circ}\text{C}$	-	0.048	9.6	$mA$
	Gate-to-Source Forward Leakage current	$V_{GS} = +5V, T_J = 125^{\circ}\text{C}$	-	0.53	15.9	$mA$
	Gate-to-Source Reverse Leakage current	$V_{GS} = -4V, T_J = 25^{\circ}\text{C}$	-	0.035	1.05	$mA$
$C_{ISS}$	Input capacitance	$V_{DS} = 50V, V_{GS} = 0V$	-	862	-	$pF$
$C_{OSS}$	Output capacitance		-	418	-	
$C_{RSS}$	Reverse transfer capacitance		-	15	-	
$Q_G$	Gate charge	$V_{DS} = 50V, V_{GS} = 5V, I_D = 20A$	-	10.1	-	$nC$
$Q_{GS}$	Gate-source charge	$V_{DS} = 50V, I_D = 20A$	-	3.6	-	
$Q_{GD}$	Gate-drain charge		-	2.1	-	
$Q_{OSS}$	Output charge	$V_{DS} = 50V, V_{GS} = 0V$	-	35.7	-	
$Q_{RR}$	Source-Drain Recovery Charge	-	-	0	-	

### 2- Typical Characteristic Curves

Fig 1. On-Region Characteristics

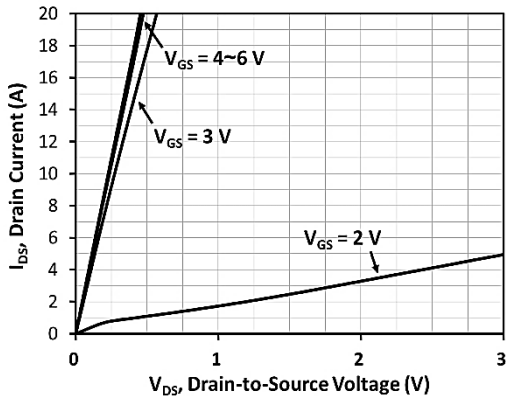


Fig 2. On-Resistance vs Drain Current and Temperature

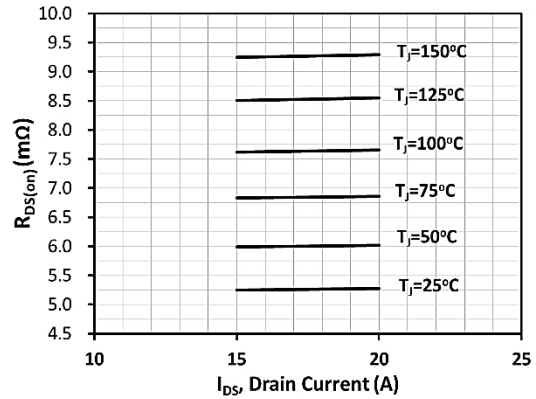


Fig 3. On-Resistance with Drain Current

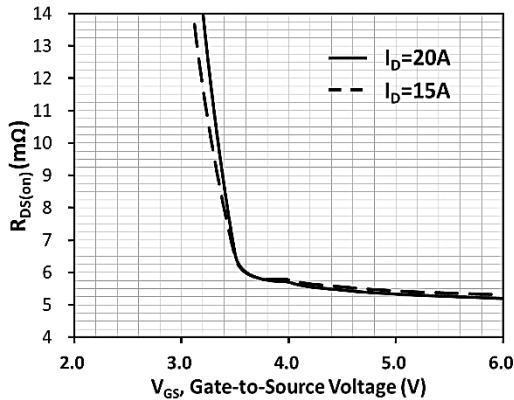


Fig 4. On-Resistance Variation with Temperature

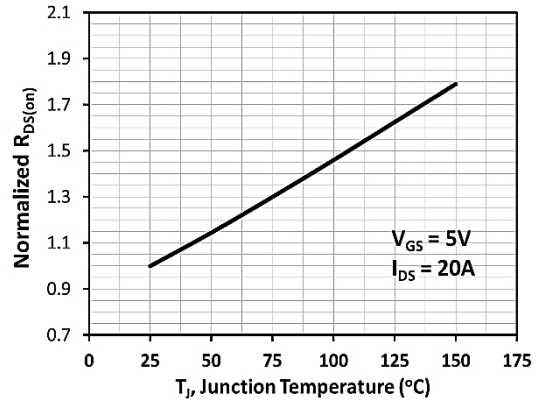


Fig 5. Threshold Voltage with Temperature

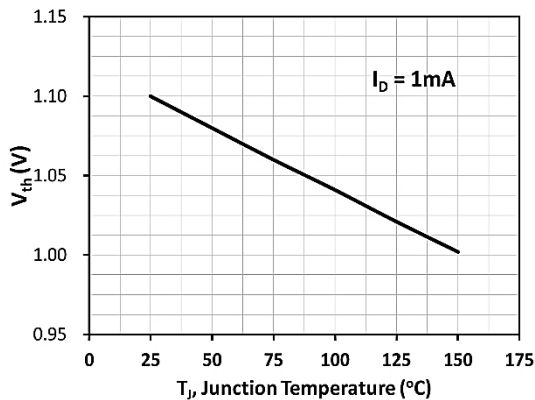


Fig 6. Capacitance Characteristics

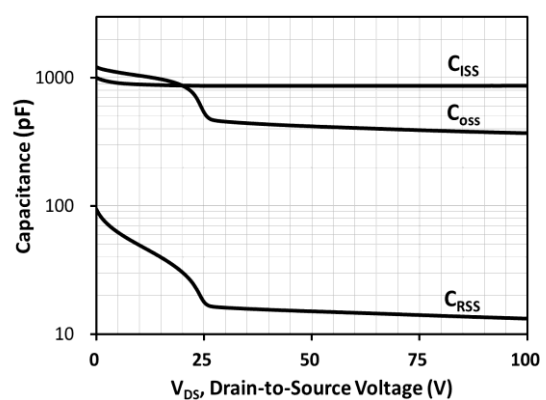


Fig 7. Gate Charge Characteristics, Qg

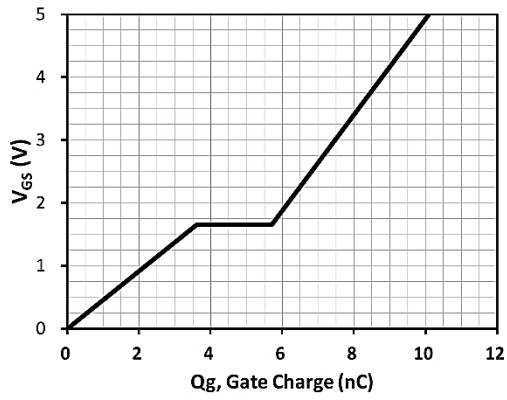
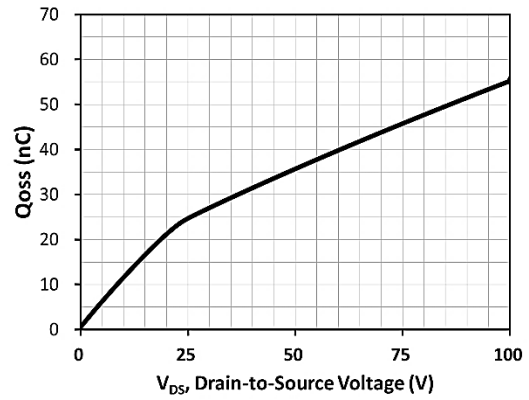
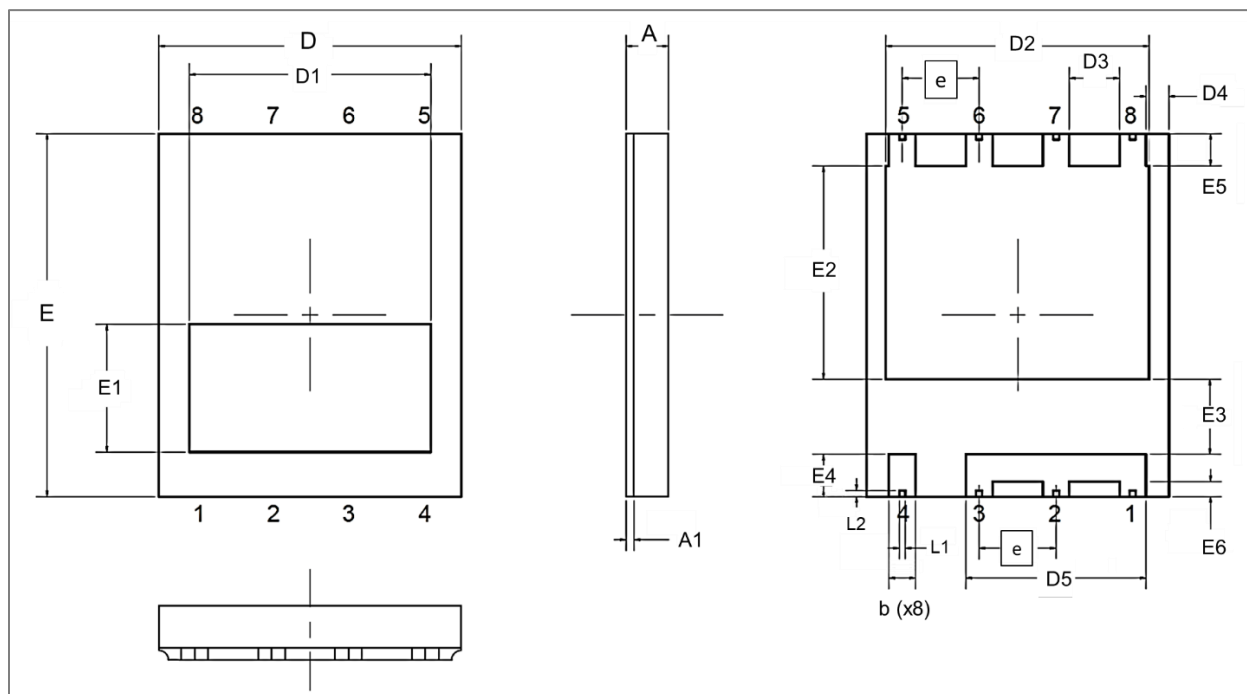


Fig 8. Capacitance Characteristics, Qoss



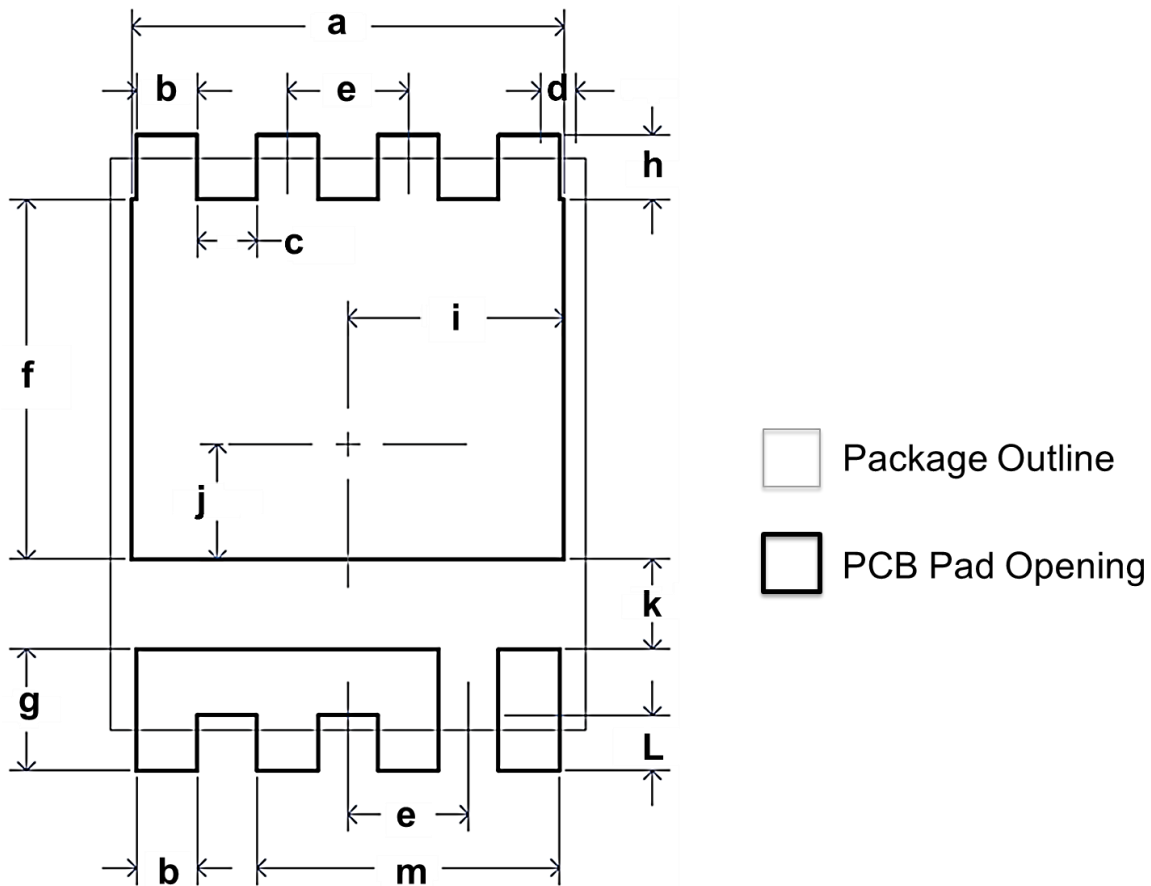
### 3- Package Outline Dimensions



➤ Table 4 Dimension of GR-RQFN-5x6-8L

SYMBOL	DIMENSION (IN MM)			SYMBOL	DIMENSION (IN MM)		
	MIN.	NOM.	MAX.		MIN.	NOM.	MAX.
A	---	---	0.70	D5	2.88	2.98	3.08
A1	0.13			E1	2.112 REF		
A2	0.42	0.45	0.48	E2	3.43	3.53	3.63
D	4.90	5.00	5.10	E3	1.14	1.24	1.34
E	2.90	6.00	3.10	E4	0.60	0.70	0.80
e	1.270 BSC			E5	0.43	0.53	0.63
b	0.34	0.44	0.54	E6	0.15	0.25	0.35
D1	3.994 REF			L1	0.05	0.10	0.20
D2	4.25	4.35	4.45	L2	0.05	0.10	0.20
D3	0.73	0.83	0.93				
D4	0.275	0.375	0.475				

## Recommended PCB footprint



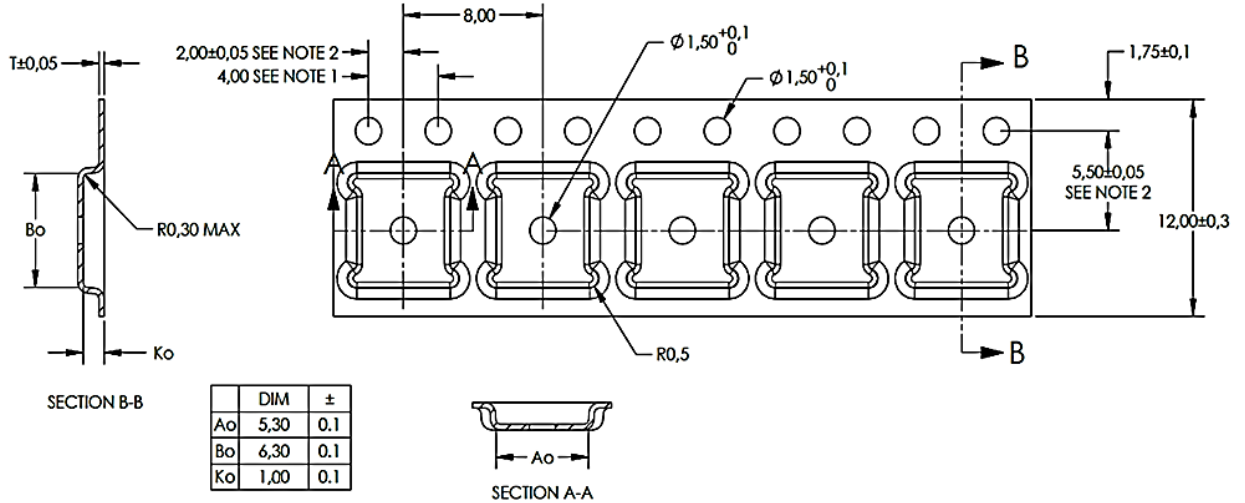
➤ Table 5 PCB Footprint Dimension

SYMBOL	DIMENSION	SYMBOL	DIMENSION
a	4.550	h	0.680
b	0.640	i	2.275
c	0.630	j	1.210
d	0.375	k	0.940
e	1.270	L	0.580
f	3.780	m	3.180
g	1.280	-	-

Notes:  
 (1) All dimensions are in mm.  
 (2) Drawing is not to Scale.

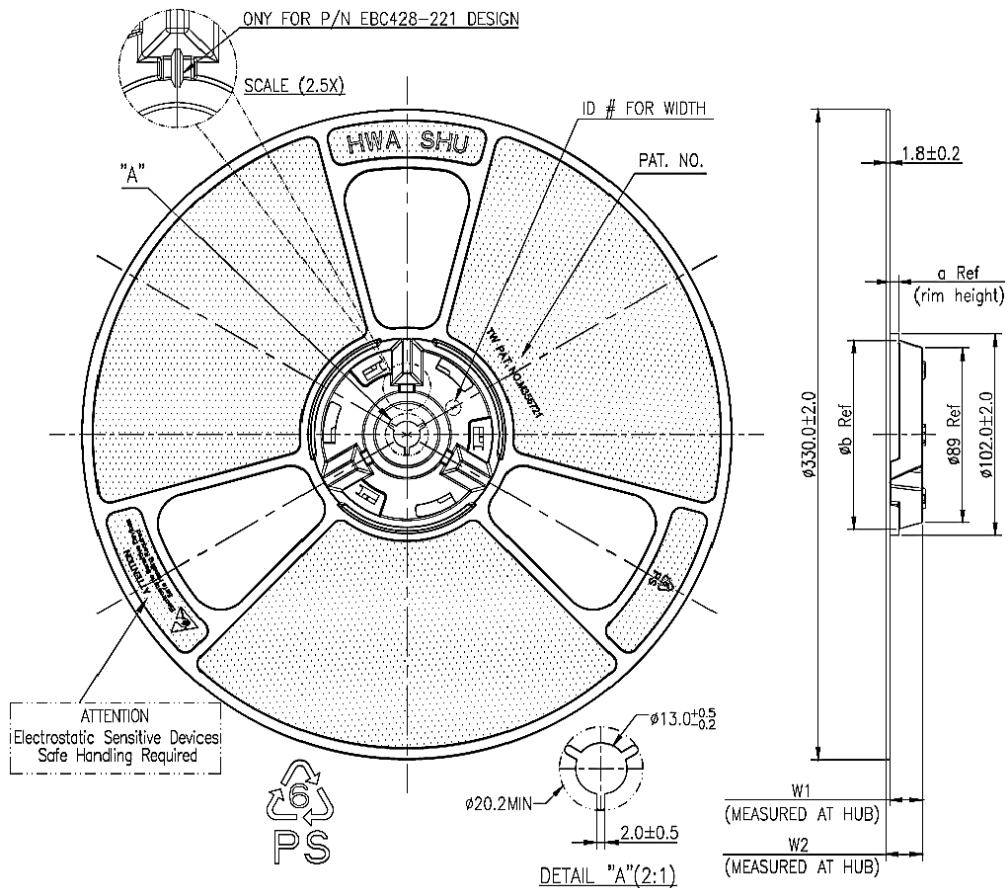
### 4- Tape and Reel Informaion

13" Reel, Carrier Tape W=12mm



Unit: mm

5-



6-

## 5- Change Log

Version	Date	Description
0.1	March 28, 2025	Initial version
0.2	October 22, 2025	Revised electrical characteristic curves.
0.3	April 16, 2026	Electrical characteristics revised

- **Note:** GaNrich semiconductor reserves the right to revise products and/or specifications without notice.