

GR-65P075WT: TO-220 FP Cascode GaN HEMT

Description

GR-65P075WT is a normally-off GaN High electron mobility transistor (HEMT) device using the cascode configuration, which provides high breakdown voltage, high current and high operating speed which is suitable for high power applications.

Key Specifications

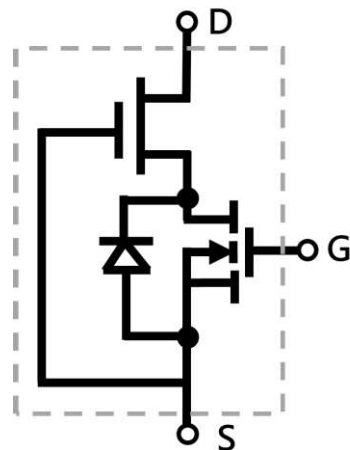
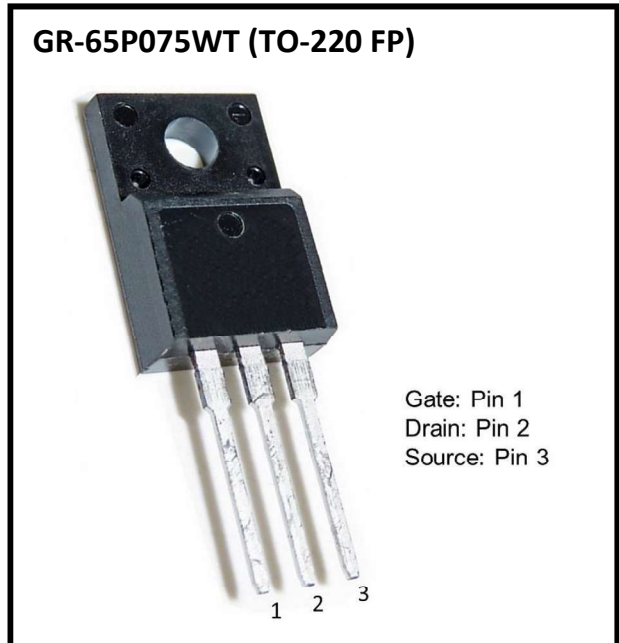
Part Number	GR-65P075WT
$V_{DS, min.}$	650V
$R_{DS(ON), typ.}$	74m Ω
Package	TO-220 FP

Features

- Gate drive voltage compatibility (-20V to +20V)
- High operating frequency
- Pin to Pin with CoolMOS/SJ and SiC MOSFET
- Low Q_{rr}

Applications

- Switch Mode Power Supplies (SMPS)
- AC-DC/ DC-DC Converters
- Motor Drives



Cascode Device Structure