

## GR-65P240WT: TO-220 FP Cascode GaN HEMT

### Description

GR-65P240WT is a normally-off GaN High electron mobility transistor (HEMT) device using the cascode configuration, which provides high breakdown voltage, high current and high operating speed which is suitable for high power applications.

### Key Specifications

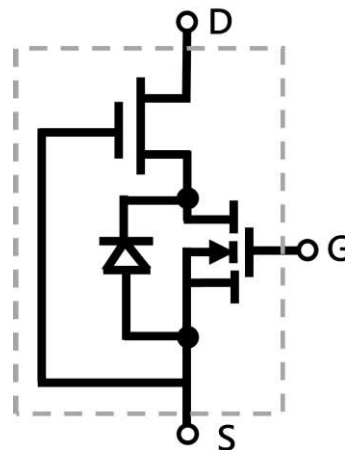
Part Number	GR-65P240WT
V <sub>DSS</sub> , min.	650V
R <sub>DS(ON)</sub> , typ.	235mΩ
Package	TO-220 FP

### Features

- Gate drive voltage compatibility (-20V to +20V)
- High operating frequency
- Pin to Pin with CoolMOS/SJ and SiC MOSFET
- Low Q<sub>rr</sub>

### Applications

- Switch Mode Power Supplies (SMPS)
- AC-DC/ DC-DC Converters
- Motor Drives



Cascode Device Structure