

## GR-65P100KT: TO-220-3L Cascode GaN HEMT

### Description

GR-65P100KT is a normally-off GaN High electron mobility transistor (HEMT) device using the cascode configuration, which provides high breakdown voltage, high current and high operating speed which is suitable for high power applications.

### Key Specifications

Part Number	GR-65P100KT
V <sub>DSS</sub> , min.	650V
R <sub>DS(ON)</sub> , typ.	98mΩ
Package	TO-220-3L

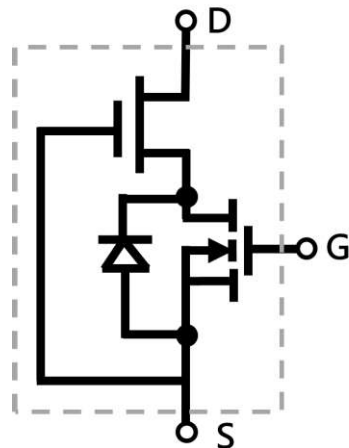
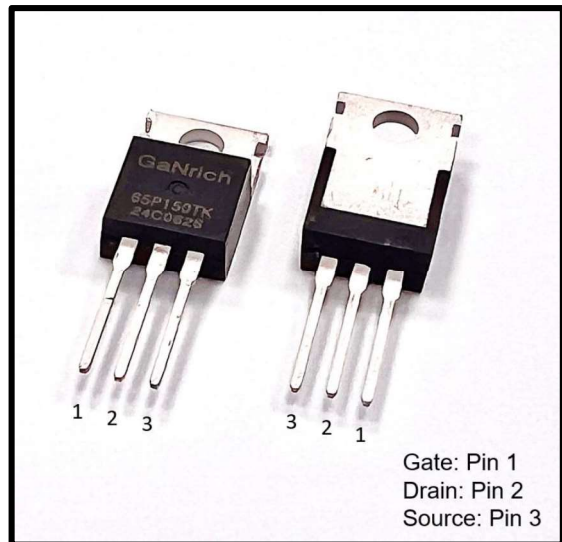
### Features

- Gate drive voltage compatibility (-20V to +20V)
- High operating frequency
- Pin to Pin with CoolMOS/SJ and SiC MOSFET
- Low Q<sub>rr</sub>

### Applications

- Switch Mode Power Supplies (SMPS)
- AC-DC/ DC-DC Converters
- Motor Drives

GR-65P100KT (TO-220-3L)



Cascode Device Structure