

GR-65P075TT: TOLL-9 Cascode GaN HEMT

Description

GR-65P075TT is a normally-off GaN High electron mobility transistor (HEMT) device using the cascode configuration, which provides high breakdown voltage, high current and high operating speed which is suitable for high power applications.

Key Specifications

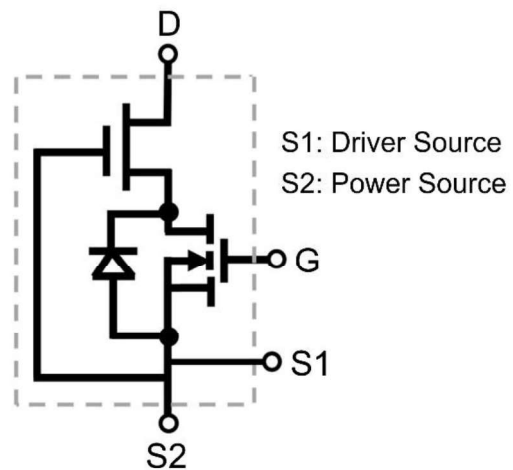
Part Number	GR-65P075TT
$V_{DS, min.}$	650V
$R_{DS(ON), typ.}$	74m Ω
Package	TOLL-9L

Features

- Gate drive voltage compatibility (-20V to +20V)
- High operating frequency
- Low Q_{rr}

Applications

- Switch Mode Power Supplies (SMPS)
- AC-DC/ DC-DC Converters
- Motor Drives



Cascode Device Structure