

## GR-65P075KT: TO-220-3L Cascode GaN HEMT

### Description

GR-65P075KT is a normally-off GaN High electron mobility transistor (HEMT) device using the cascode configuration, which provides high breakdown voltage, high current and high operating speed which is suitable for high power applications.

### Key Specifications

Part Number	GR-65P075KT
$V_{DS}$ , min.	650V
$R_{DS(ON)}$ , typ.	74m $\Omega$
Package	TO-220-3L

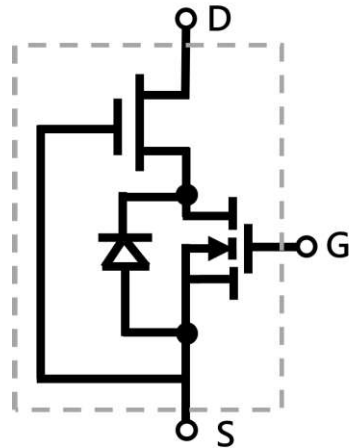
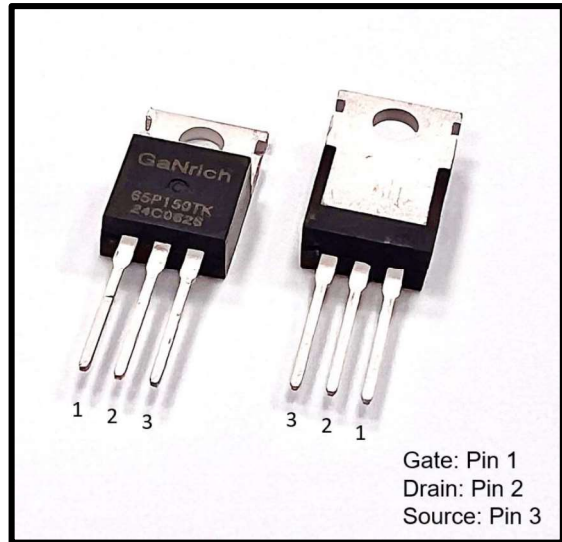
### Features

- Gate drive voltage compatibility (-20V to +20V)
- High operating frequency
- Pin to Pin with CoolMOS/SJ and SiC MOSFET
- Low  $Q_{rr}$

### Applications

- Switch Mode Power Supplies (SMPS)
- AC-DC/ DC-DC Converters
- Motor Drives

GR-65P075KT (TO-220-3L)



Cascode Device Structure